

# PM

High Speed Precision Pulverizers



**ZERMA**



## High Speed Precision Pulverizers: PM range

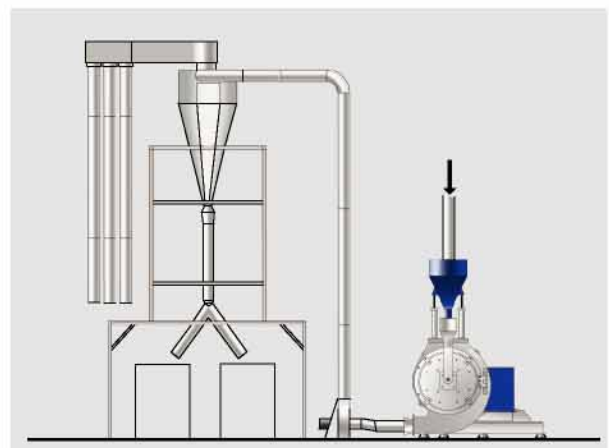


**Precision Grinders**

The ZERMA PM series of compact pulverizers are high speed, precision grinders for the processing of medium hard, impact resistant and friable materials. Typical applications are the pulverizing of plastic profile, tube, sheet, edge trim materials, film waste and also products from the food, chemical and pharmaceutical industry. The material to be pulverized is introduced through the centre of a vertical fixed grinding disc which is mounted concentrically with an identical high speed rotating disc. Centrifugal force carries the material through the grinding area and the resultant powder is collected with a blower and cyclone system.

The ZERMA PM range have several technical advantages which ensure ideal performance and operation.

- **Lower dwell time in pulverizer**
- **Easy pulverizer disc replacement**
- **Economically priced/ cost effective**
- **Compact design**



# High Speed Precision Pulverizers: PM range



**Pulverizer Type PM 800**



**Pulverizing system including PM 500, screening machine & suction system**

## One-piece grinding disc

The one piece design – concentric disc – ensures lower regrind costs.

The installation and setting of the disc is fast and simple.

## New bearing technology

The single drive system operating at high speed and high power has a special bearing arrangement to ensure prolonged production times between bearing service.

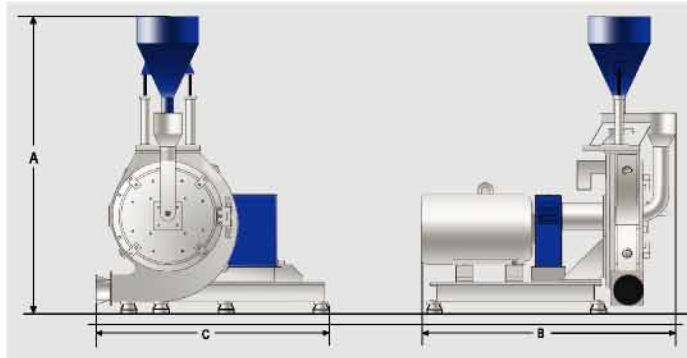
## Easy adjustment

The gap between the grinding disc can be easily adjusted to give accurate setting for the required fineness and consistency of product. The system can produce powder sizes to below 500 microns and depending on the product without the requirement for a screener.

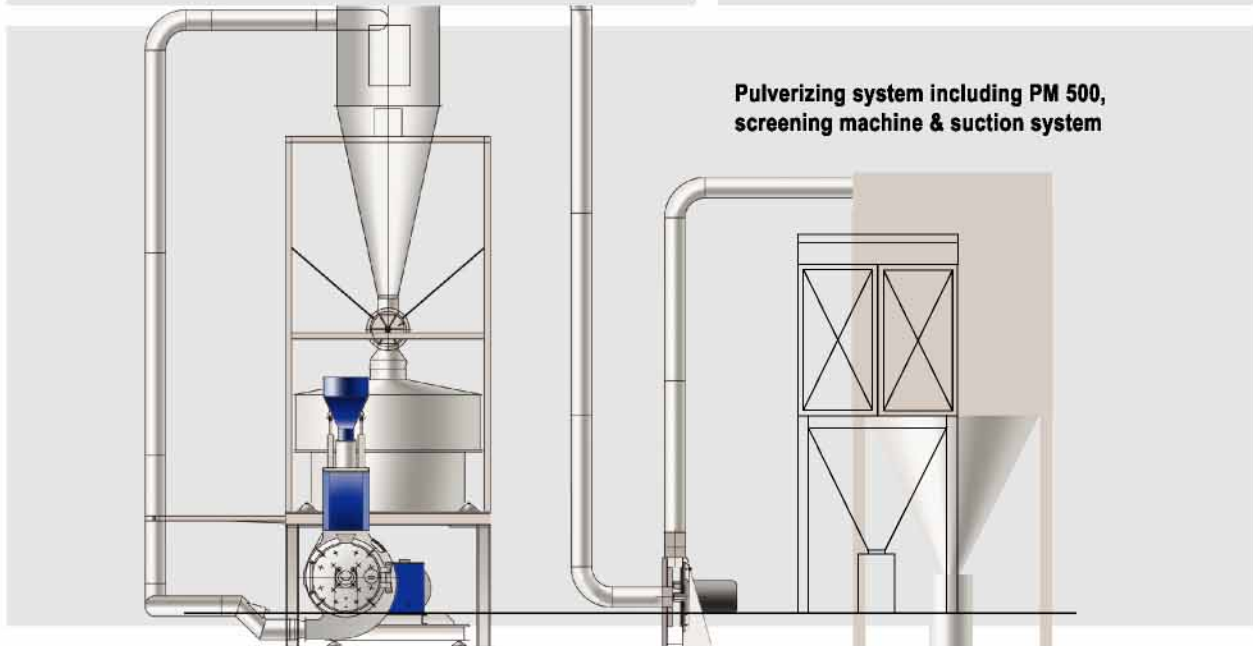
## Well thought-out housing design

The design of the machine with small chamber cross section and discs of near flat design, mounted vertically, ensure the infeed material is grasped and reduced immediately on entering the grinding chamber. The controlled feed eliminates material surge consequently no adverse temperature increase hence higher throughputs.

# Models in the PM range: PM 300, PM 500, PM 800



Type PM	300	500	800
Diameter of discs (mm):	300	500	800
Drive capacity (kW):	22	55	90
Weight approx. (kg):	1200	1900	3200
Throughput approx. (kg/h):	50-500	100-1000	200-1500
<b>Dimensions:</b>			
A (ca. mm)	1850	2100	2450
B (ca. mm)	1370	1800	2150
C (ca. mm)	1550	1680	1750



[www.zerma.com](http://www.zerma.com)

Please contact your nearest sales office:

**China:**  
 Zerma Machinery & Recycling Technology  
 (Shanghai) Co., Ltd  
 5 Xinjie Rd XinQiao Township Ind. Park,  
 Songjiang Shanghai, Zip: 201612, China  
 Phone: +86 21 57645573  
 Fax: +86 21 57646766  
 info@zerma.com · www.zerma.com

**South-East-Asia:**  
 ZERMA (Thailand) Co., Ltd.  
 78/6 Moo 7Kingkaew Road, Rachatewa, Bangplee,  
 Samutprakam 10540  
 Thailand  
 Phone: +66 2 738 5056-7  
 Fax: +66 2 738 5058  
 info@zerma.co.th · www.zerma.co.th

**Germany / Europe:**  
 ZERMA Zerkleinerungsmaschinenbau GmbH  
 Am Leitzelbach 23  
 74889 Sinsheim-Dühren  
 Germany  
 Phone: +49 7261 9156-0  
 Fax: +49 7261 3556  
 info@zerma.de · www.zerma.de

**GB / Ireland:**  
 ZERMA UK Ltd. (Richard Monkhouse)  
 27 Weaver Park Est  
 Mill Lane, Frodsham, Cheshire WA6 7JH  
 England  
 Phone: +44 1928 734724  
 Fax: +44 1928 734725  
 info@zerma.co.uk · www.zerma.co.uk

**USA:**  
 Econo-Grind USA  
 Turner Street  
 South Attleboro, MA 02703 - 7900  
 USA  
 Phone: +1 508 399-3018  
 Fax: +1 508 399-3150  
 info@econogrind.com · www.econogrind.com

**Your dealer:**